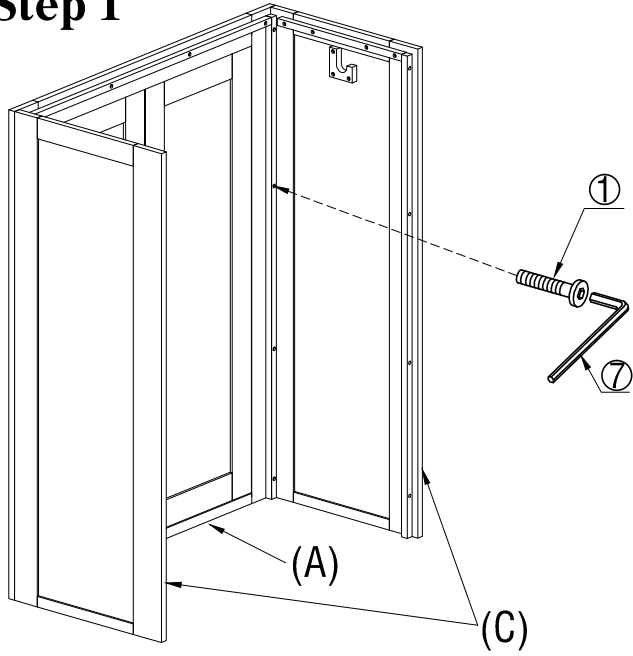
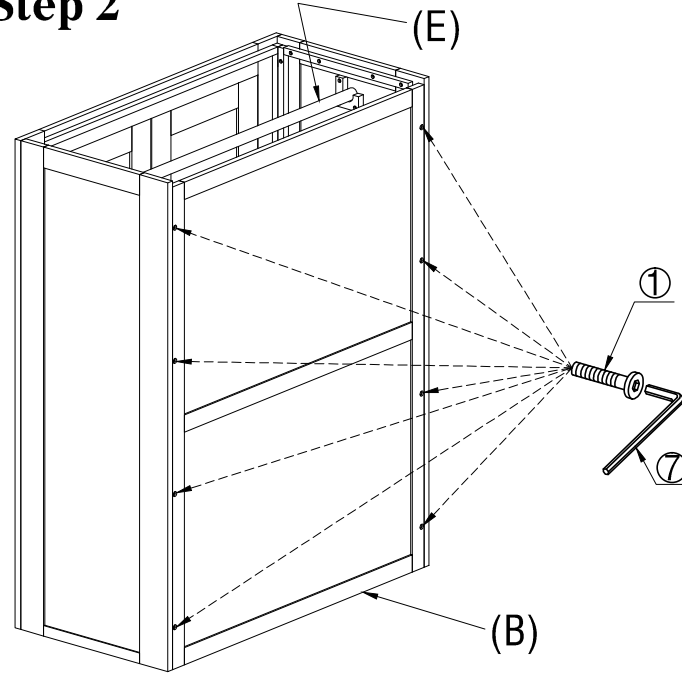


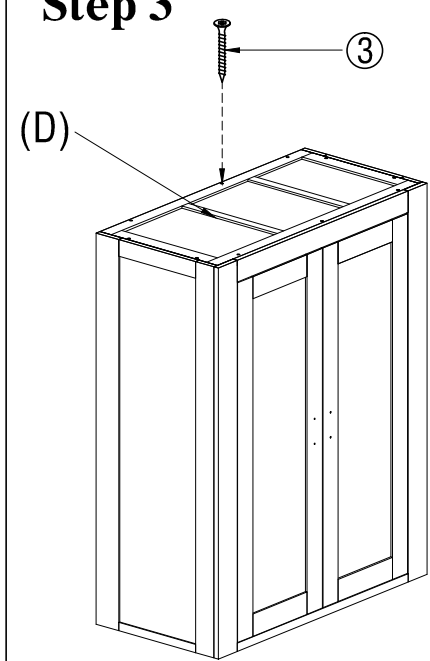
### Step 1



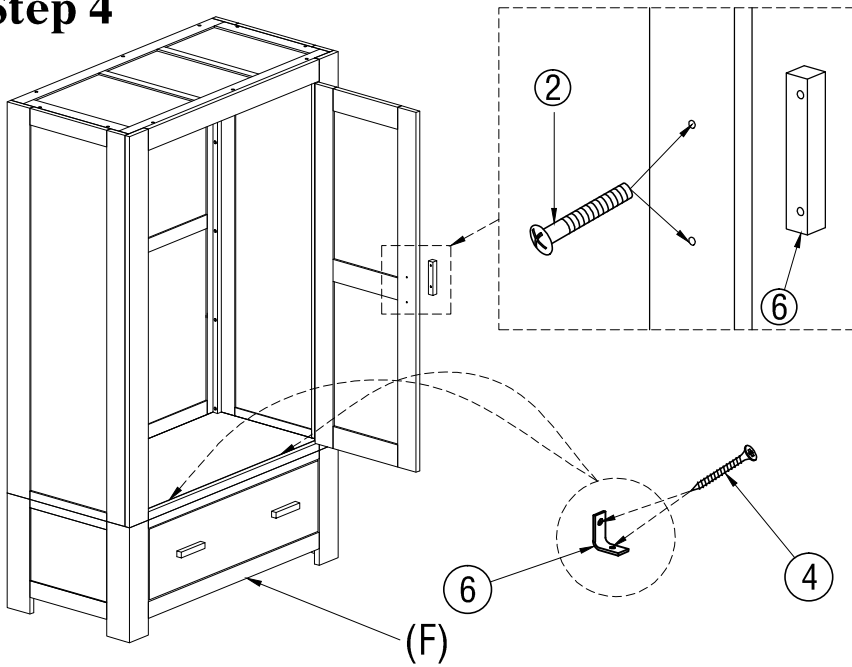
### Step 2



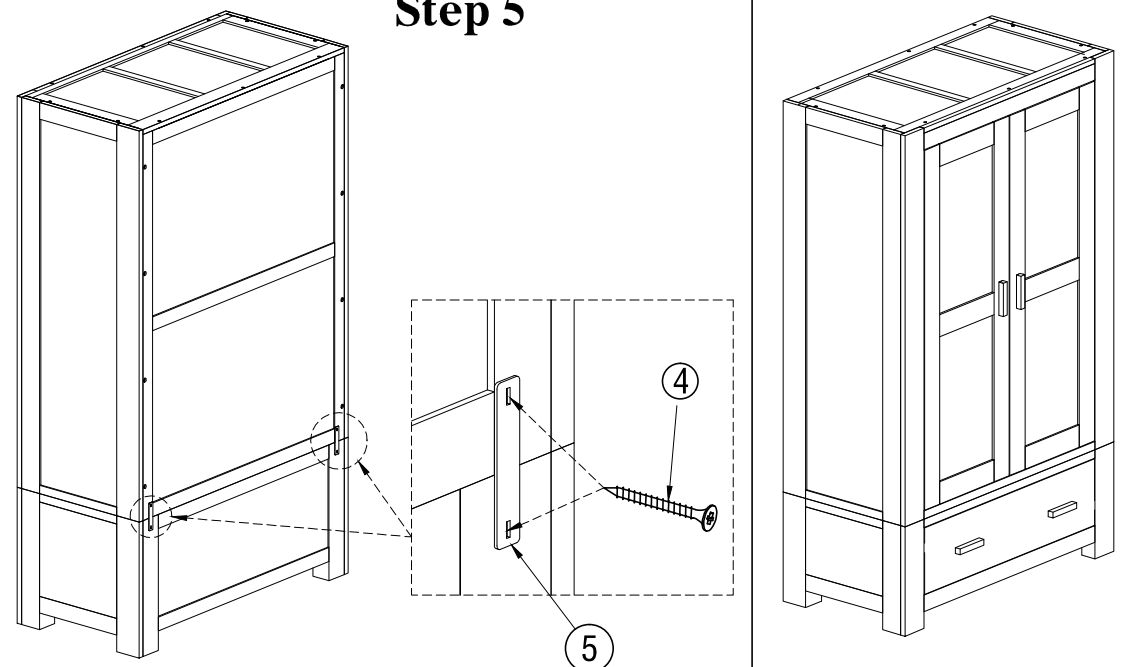
### Step 3



### Step 4

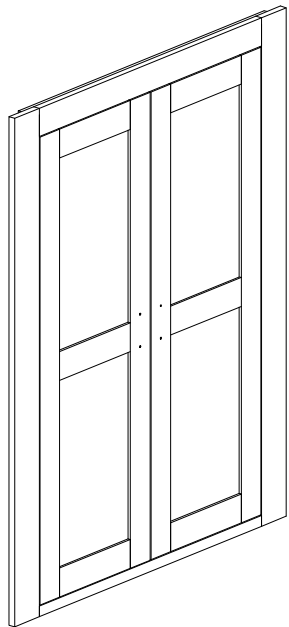


### Step 5

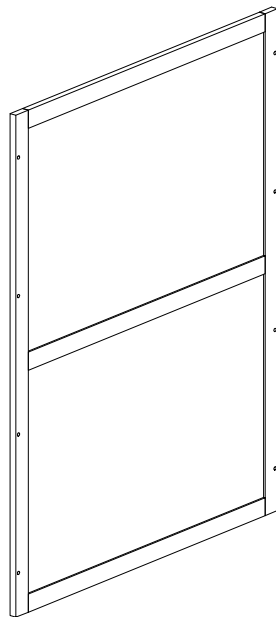


## ASSEMBLY INSTRUCTION 2 DOOR 1 DRAWER WARDROBE

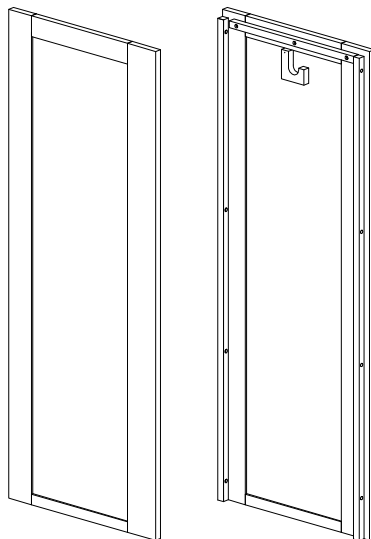
A = 1pc



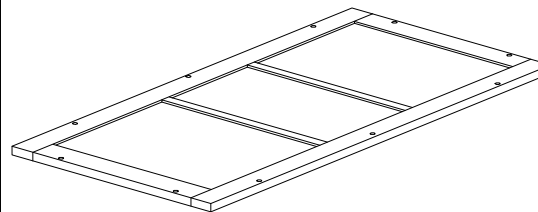
B = 01pc



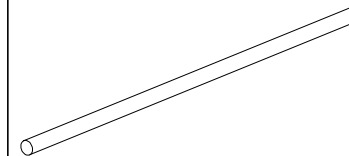
C = 02pcs



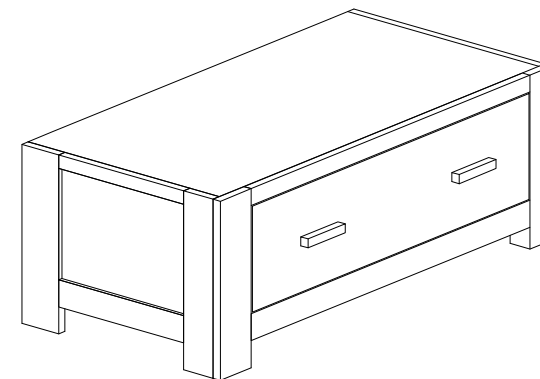
D = 01pc



E = 01pc



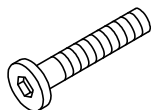
F = 01pc



### HARDWARE

①

M6 x 30 = 20pcs



②

M4 x 30 = 4pcs



③

M4 x 30 = 12 pcs



④

M4x15= 10pcs



⑤

2x20x50=2pcs



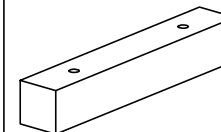
⑥

2x20x (30,30) =2pcs



⑦

20x20 x150= 2pc



⑧

4 x 30 x 60 = 1pc

